

### Installation & Operations Manual for Pursuit Side View Mirror

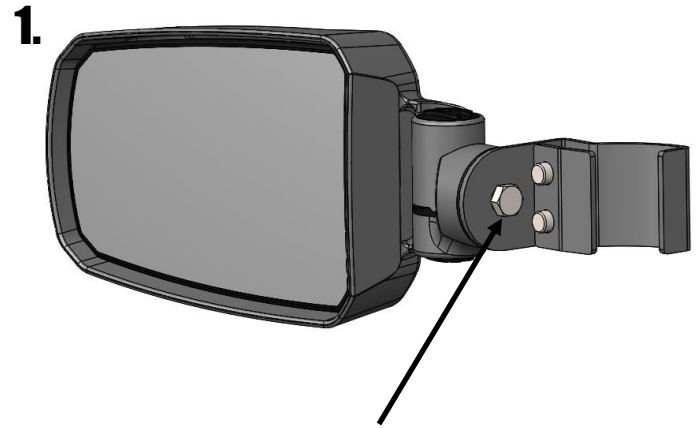
#### Contents:



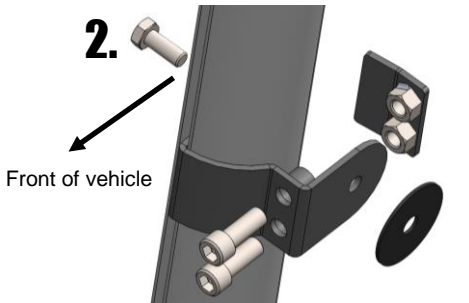
Left Mirror and Clamp Assembly

Right Mirror and Clamp Assembly

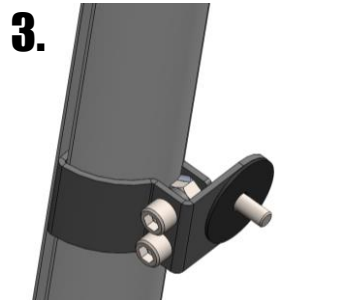
#### Installation:



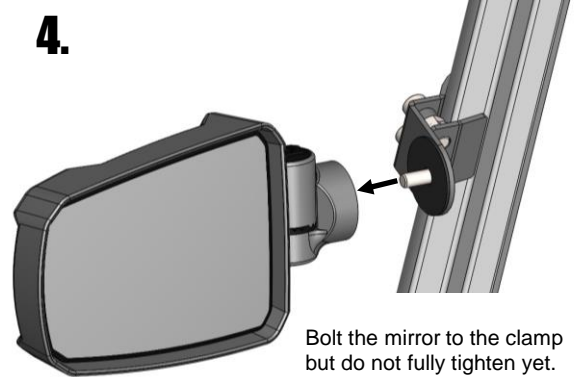
Temporarily remove this bolt to detach Clamp Assembly



Disassemble clamp by removing the two 8mm socket head bolts. Place curved half of clamp against roll cage in desired mirror location. Insert bolts and thread into clamp plate with the welded nuts facing the bolt heads. Tighten bolts.

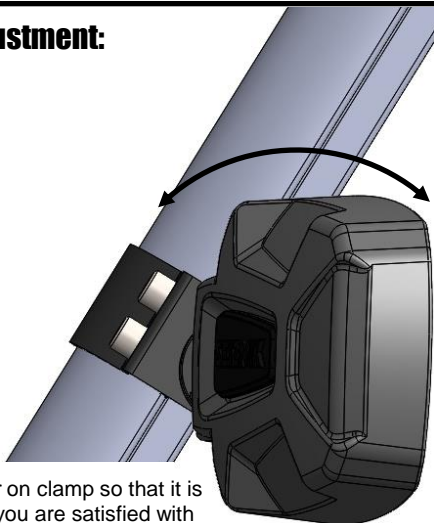


Put mirror mounting bolt through hole and place large rubber washer on the end of the bolt.

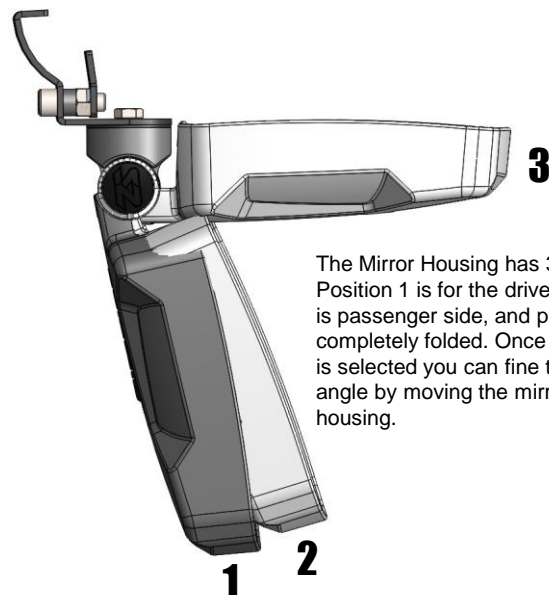


Bolt the mirror to the clamp but do not fully tighten yet.

#### Initial Adjustment:



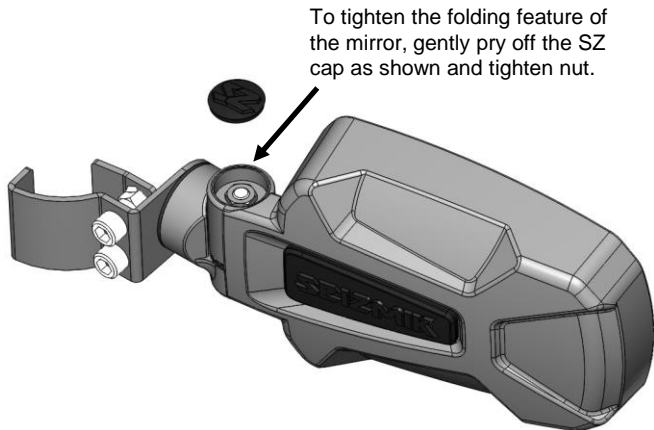
Rotate mirror on clamp so that it is level. When you are satisfied with the location and angle, tighten bolt.



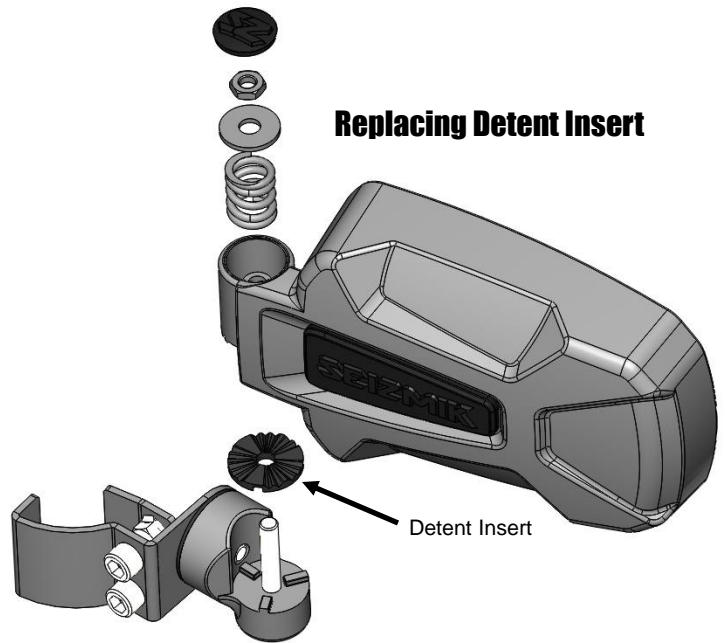
The Mirror Housing has 3 detent positions. Position 1 is for the drivers side, position 2 is passenger side, and position 3 is completely folded. Once the detent position is selected you can fine tune the viewing angle by moving the mirror glass within the housing.

## Repair and Maintenance

### Tightening Mirror Housing Folding Feature

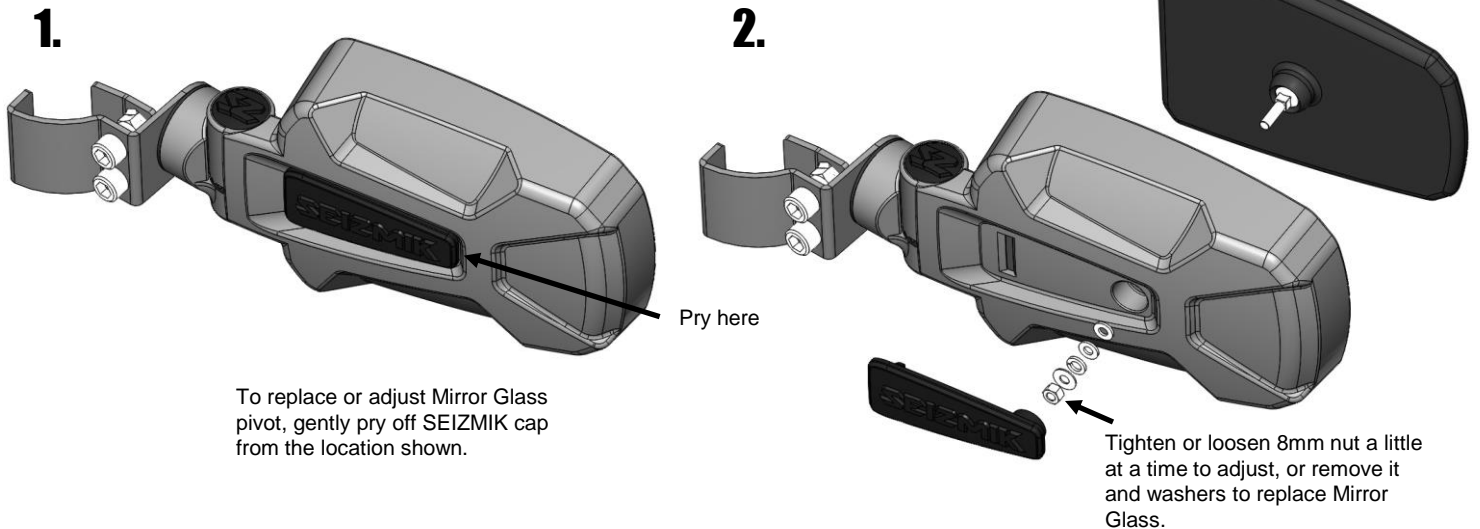


### Replacing Detent Insert



If for any reason the Mirror Detent Insert ever becomes worn enough that the mirror will not hold position well, please contact us for free replacements. It can be replaced by first removing the nut shown in the previous step. Next, remove the Mirror Housing, Spring, and Washer. The Detent Insert can now be gently pried off and replaced. The Detent is designed so it can only go on one way.

### Replacing or Adjusting Mirror Glass



Seizmik makes Windshields, Doors, Tops, Hood Racks, and other great accessories for utility vehicles & side x sides. Our products are engineered tough for long life and tested under the harshest of conditions.

Seizmik products are designed, developed and manufactured by Vialink Corp. If you have any questions, comments, need assistance, or are missing parts, please call 1-866-838-3366 between 9:00AM and 5:00PM EST. You can email us at [support@seizmik.com](mailto:support@seizmik.com).